

LACHT BOLT 201

SIZE (mm)	100	150	250	350	500	750
Axle	Steel	Steel	Steel	Steel	Steel	Steel

LACHT BOLT 222

SIZE (mm)	50	80	100	150	200	250	300	400
Axle	Steel	Steel	Steel	Steel	Steel	Steel	Steel	Steel

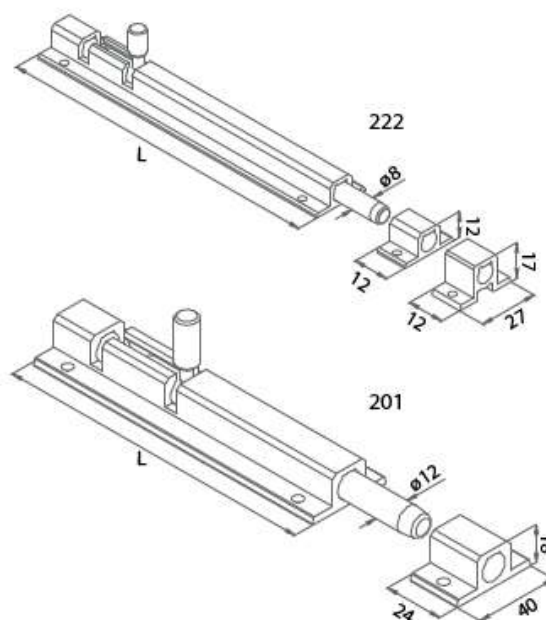


201



222

DIMENSIONS (mm.)



TEST	STANDARD	RESULT
Resistance to corrosion	UNE-EN 1670	Grade 4

MATERIALS	
Frame	Extruded aluminium
Keeper	Extruded aluminium
Axle	Steel (Alma ZV-21)
Handle	Steel

FINISHING TOUCHES AND SURFACE TREATMENTS

WHITE BLACK RAL SILVER GOLD BRONZE

PACKAGING

201: 6-unit box
222: 20-unit box