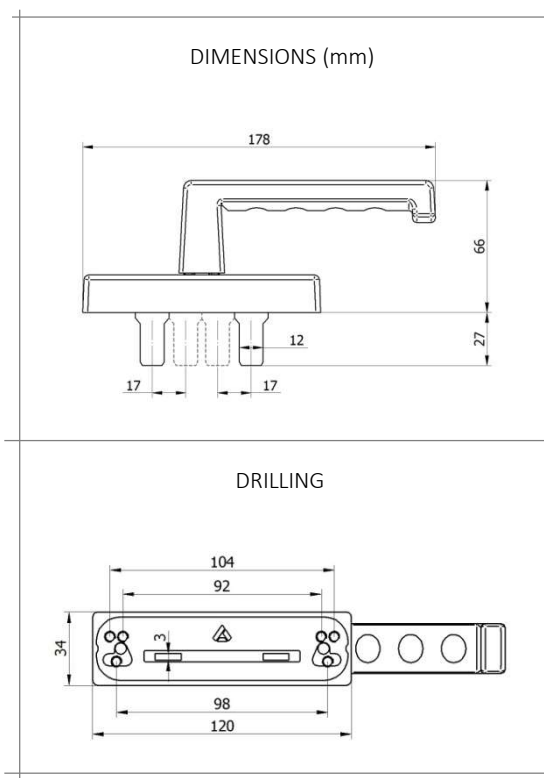


- REVERSIBLE: EASY SHIFT.
- MAXIMUM RESISTANCE TO CORROSION.
- ALSO AVAILABLE FOR TILT-AND-TURN OPENING

2010: ESPAGNOLETTE WITH ACCESSORIES
2011: ESPAGNOLETTE WITHOUT ACCESSORIES



TEST	STANDARD	RESULT
Resistance to corrosion	UNE-EN 1670	Grade 4

MATERIALS	
Handle and basis	Injected aluminium
Shutters	Zamak
Support plate	Stainless steel
Screws	Stainless steel
Basis cover	Polyamide
Sleeve	POM

FINISHING TOUCHES AND SURFACE TREATMENTS

WHITE BLACK RAL SILVER INOX

PACKAGING

10 units in 215x105x70 mm boxes.