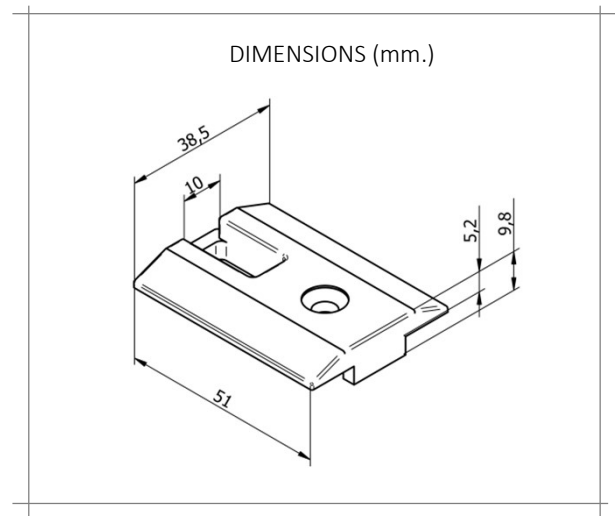


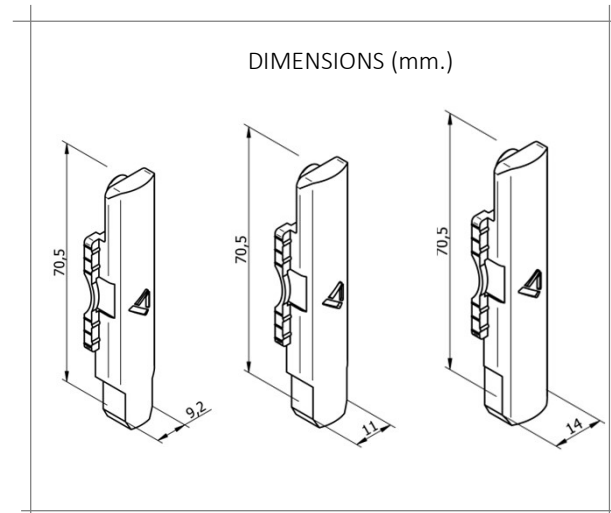
2027 : KEEPER FOR FOLDING SYSTEMS ON OPENING FRAME PROFILE



MATERIALS	
Frame	Polyamide
Screw and nut	Stainless steel
Flange	Stainless steel

PACKAGING
1 unit

- 2078/9 - LOCKING POINT 9mm. TO UPPER PROFILE AND KEEPER 2027
- 2078/11 - LOCKING POINT 11 mm TO 12 mm DOWN PROFILE
- 2078/14 - LOCKING POINT 14 mm TO 15mm BOTTOM FRAME PROFILE



MATERIALS	
Locking point	Polyamide

PACKAGING
1 unit