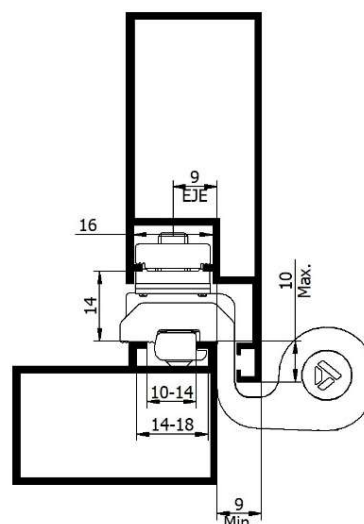


- ADJUSTABLE HINGE FOR 16 MM GROOVE DOORS (SHAFT 9).
- ADJUSTMENTS: HORIZONTAL +2 mm/ -2 mm
PRESSURE +1mm / -1 mm
VERTICAL +3mm / -3 mm (WITH COMPLEMENTARY KIT)
- SECURITY SCREWS TO FIX THE REGULATIONS.
- QUICK SET UP TO THE FRAME. ADAPTABLE TO FRAME GROOVE 10x14/12x15/14x18
- ALLEN KEY REGULATION.
- MAXIMUM LOAD OF 110 KG PAR PAIR OF HINGES.
- MAXIMUM DIMENSIONS: 1000 x 2000 mm.
- VANDAL-PROOF SHAFT.



DIMENSIONS (mm.)



MATERIALS

Leaf	Extruded aluminium
Shaft	Stainless Steel
Horizontal regulator	Zamak-5
Screws	Stainless Steel
Cap	Acetal resin
Wedge	Polyamide



FINISHING TOUCHES AND SURFACE TREATMENTS



PACKAGING

10 units.