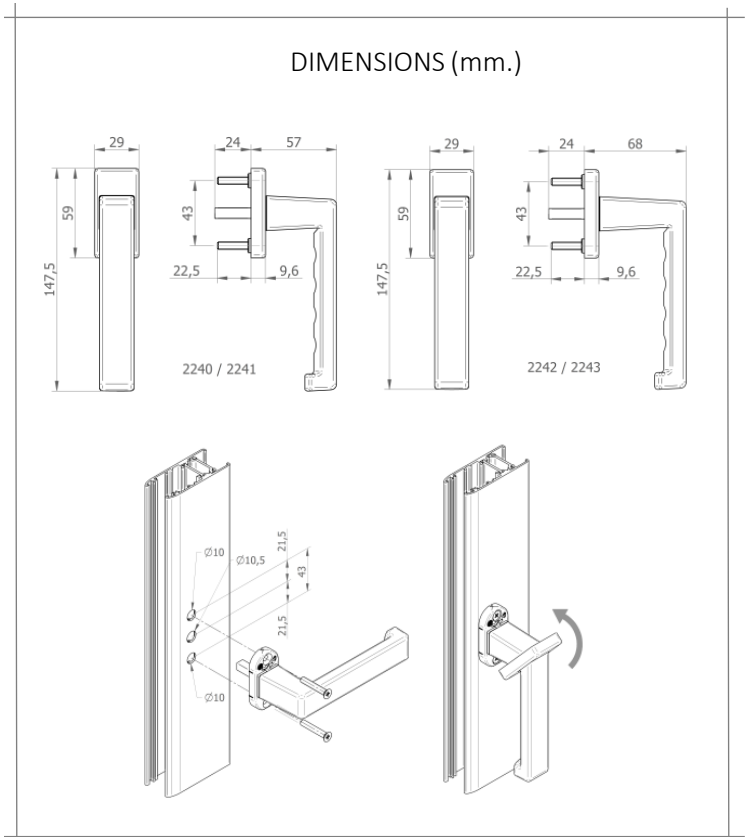


- ALUMINIUM HANDLE WITH 7 MM SQUARE.
- EQUIPPED WITH A COVER MADE OF METAL OR PLASTIC, WHICH HIDES THE SCREWS AND MAKES THE ASSEMBLY PROCESS EASIER.
- ULTRA FLAT CASE FOR MORE DISCRETION.
- COMPATIBLE MULTIPOINT SYSTEMS AUDAX (FICHES 5.8 – 5.11)
- AVAILABLE IN HIGH VERSION (68mm) for profiles with internal support (Ref. 2242-2243).

2240: STANDARD VERSION WITH METAL COVER.
2241: STANDARD VERSION WITH PLASTIC COVER.
2242: HIGH VERSION WITH METAL COVER.
2243: HIGH VERSION WITH PLASTIC COVER.



| TEST | STANDARD | RESULT |
|-------------------------|-------------|---------|
| Resistance to corrosion | UNE-EN 1670 | Grade 4 |

FINISHING TOUCHES AND SURFACE TREATMENTS



MATERIALS

| | |
|----------------|--------------------|
| Handle | Injected Aluminium |
| Fixation frame | POM |
| Shaft | Zamak-5 |
| Cover 2280 | Zamak-5 |
| Cover 2281 | Polyamide |
| 7 mm square | Galvanized steel |

PACKAGING

10 handles packed individually with screws.