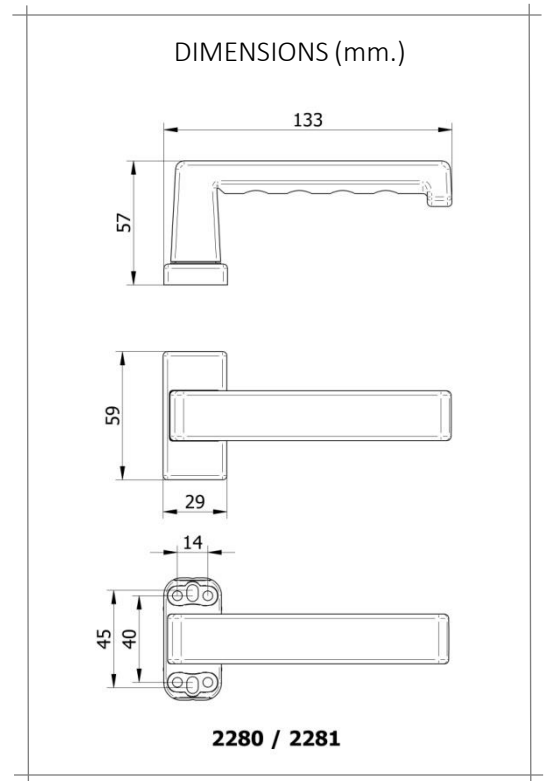
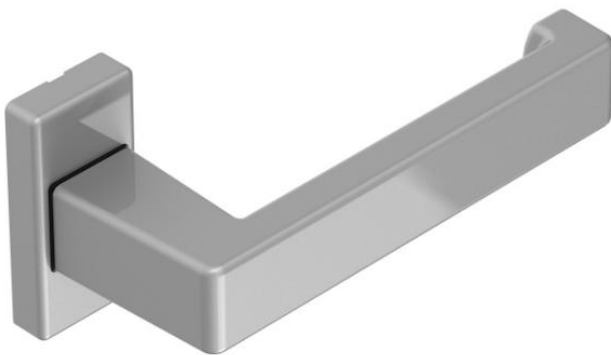


- SPRING HANDLE TO BE FIXED ON THE STILE OR THE CENTRAL TRANSOM OF THE DOORS.
- EQUIPPED WITH A COVER WHICH HIDES THE SCREWS AND MAKES THE ASSEMBLY PROCESS EASIER.
- 8 MM SQUARE.
- REVERSIBLE.
- THE SPRING ALLOWS TO PUT THE HANDLE BACK IN HORIZONTAL POSITION.
- DELIVERED INDIVIDUALLY OR IN PAIRS.

2280: STANDARD VERSION WITH METAL COVER

2281: ECONOMIC VERSION WITH PLASTIC COVER



TEST	STANDARD	RESULT
Resistance to corrosion	UNE-EN 1670	Grade 4

MATERIALS	
Handle	Aluminium
Fixing frame	Zamak-5
Shaft	Zamak-5
Cover 2280	Zamak-5
Cover 2281	Polyamide
Rondelle	Polyamide
Square 8 mm.	Galvanized steel
Spring	Galvanized steel

FINISHING TOUCHES AND SURFACE TREATMENTS				
WHITE	BLACK	RAL	SILVER	INOX

PACKAGING
10 handles packed. Please specify in the order form if you need pairs or units.