

- SWIVEL BOLTS FOR ALUMINIUM, WOOD AND PVC DOORS.
- AVAILABLE DIMENSIONS : 200, 300 ET 500 MM.
- ERGONOMY AND INNOVATIVE DESIGN.
- INVISIBLE SCREW.
- EASY AND RELIABLE INSTALLATION.
- STAINLESS STEEL SHAFT 316L (A4) OF Ø 10 MM.
- POSSIBILITY OF A BOLT WITH KEY (REF. 241), 2-KEY SET INCLUDED.
- ALUMINIUM HIGH KEEPER, INCLUDING WEDGES OF 3,4 AND 5MM (REF : 240-KCER).
- STAINLESS STEEL FRAME KEEPER AISI 304 FOR AN INSTALLATION ON THE FLOOR (REF : 240-GINO).
- SHAFT LENGTH OUT OF THE BOLT : Ref. 240/241-200 : 40mm / Ref. 240/241-300 : 50mm / Ref. 240/241-500 : 50

Ref. Alma: 240 (sin llave)  
Ref. Alma: 241 (con llave)

240-300



241-300



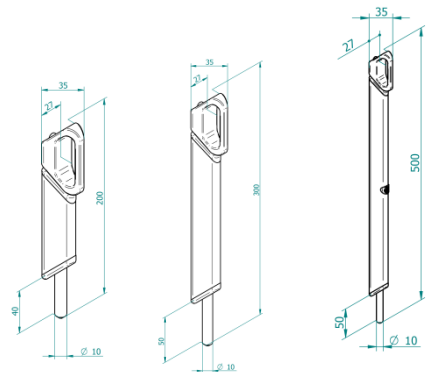
240-KCER



240-GINO

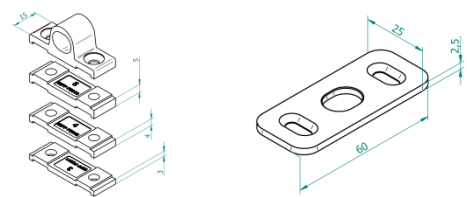


DIMENSIONS (mm.)



High keeper kit

Low keeper kit



TEST	STANDARD	RESULT
Resistance to corrosion	UNE-EN 1970	Grade 4

MATERIALS	
Handle	Zamak
Bolt frame	Extruded aluminium
Plastic pieces	Polyacetal
Keeper frame	Stainless steel 304
Shaft and screws	Stainless steel 304

**FINISHING TOUCHES AND SURFACE TREATMENTS**

WHITE    BLACK    RAL    SILVER    GOLD    BRONZE    INOX

**PACKAGING**

Bolt : 6 units per box with assembly instructions  
Keeper kit: 20 units per box  
Stainless steel lower keeper : 50 units per box  
Keepers sold separately.