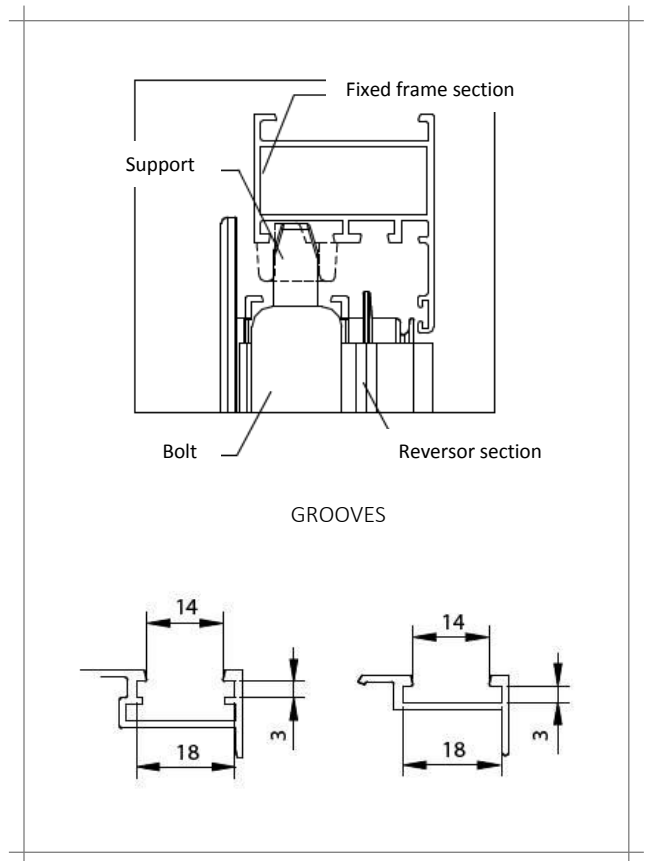
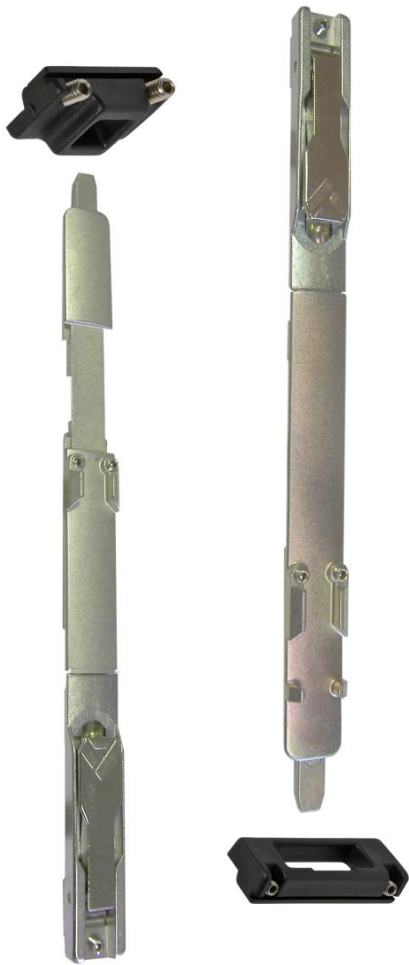


- ALLOWS TO LOCK THE SECOND LEAF OF THE 2-LEAF WINDOWS..
- LOCKING POINTS INCLUDED FOR TILT-AND-TURN WINDOWS
- ADJUSTABLE HEIGHT FOR THE LOCKING POINTS
- COMPATIBLE WITH SIMPLE AND DOUBLE GROOVE SYSTEMS
- MAXIMUM RESISTANCE TO SALT FOG (Alma-ZV.21 completion).



**EXTENSIBLE OPTIONAL COMPONENTS**

0283015007 : EXTENSION KIT OF 150 mm.  
0283035007 : EXTENSION KIT OF 350 mm

**MATERIALS**

Bolt	Zamak
Lever	Zamak
Keepers	Polyamide
Screws	Stainless steel

**FINISHING TOUCHES AND SURFACE TREATMENTS**



BLACK

**PACKAGING**

5 sets (screws and keepers included) in a 335x105x66 mm box.