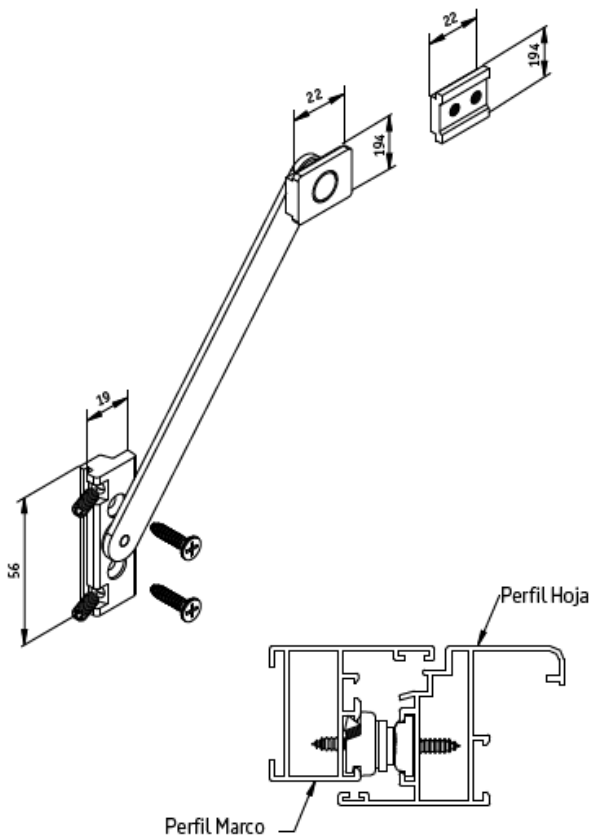
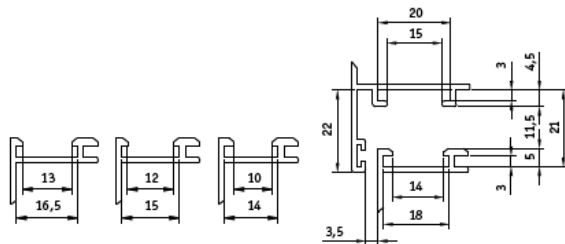


- TOLERATES LOADS UNTIL 40 KG.
- EASY AND QUICK INSTALLATION.
- ALLOWS TO LIMIT THE WINDOW OPENING.
- THE FRICTION STAY REMAINS HIDDEN UNTIL THE OPENING.

DIMENSIONS AND ASSEMBLY PATTERN (mm)



SCOPE AND COMPATIBILITY



MATERIALS

Opening restrictor	Polyamide
Sliding guide	Polyamide
Guide buffer	Extruded aluminium
Rivet and screws	Stainless steel
Friction stay arm	Stainless steel

TEST	STANDARD	RESULT
Static load	prEN 131126-5	Good

PACKAGING

50 units packed in pairs in a 335x190x75 mm box.