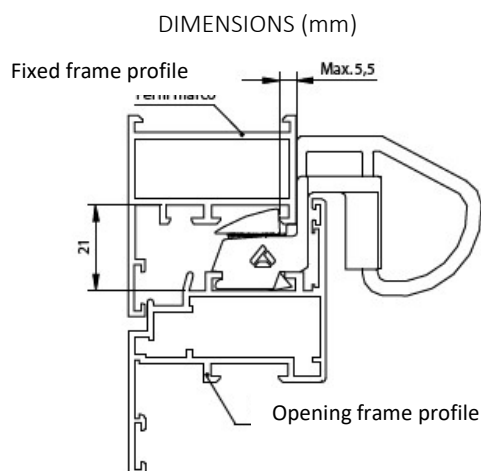
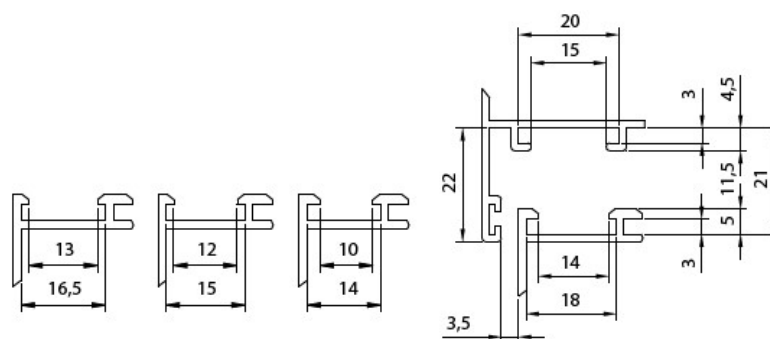


- LATCH FOR SWIVEL WINDOWS.
- INSTALLATION WITHOUT ANY MACHINING OPERATION.
- MICROMETRIC SETTING OF THE PRESSION LEAF/FRAME.



SCOPES AND COMPATIBILITY



TEST	STANDARD	RESULT
Resistance to corrosion	UNE-EN 1670	Grade 4

MATERIALS	
Handle	Extruded aluminium
Support	Zamak
Bolt	Zamak
Spring	Stainless steel
Screws	Stainless steel

FINISHING TOUCHES AND SURFACE TREATMENTS

WHITE BLACK RAL SILVER GOLD BRONZE INOX

PACKAGING

50 units in a 305x170x125 mm box