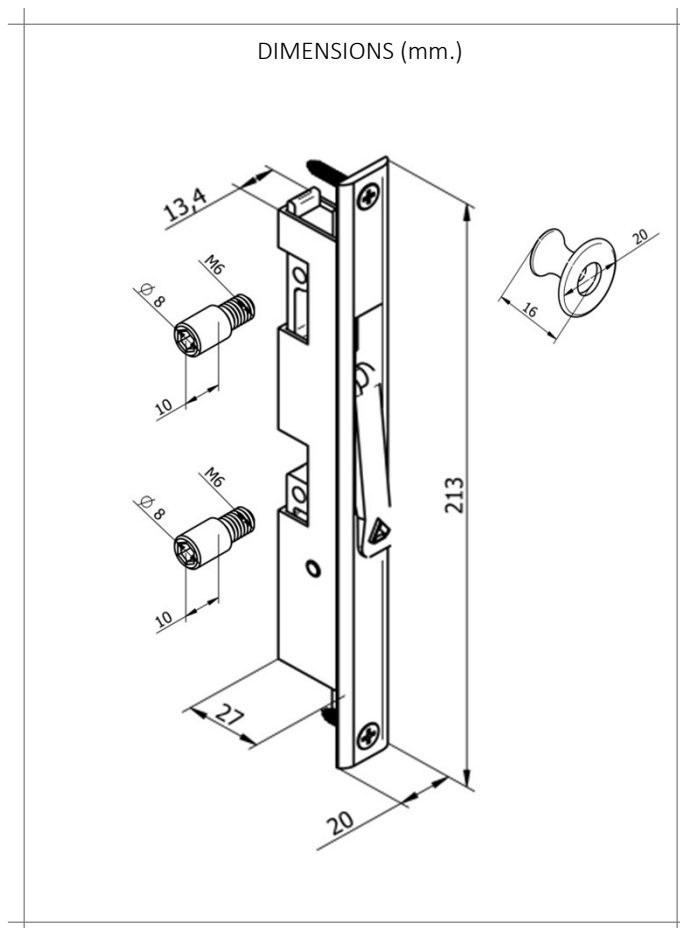


- FITTED DOUBLE-ACTION BOLT FOR FOLDING SYSTEMS.
- ASSEMBLABLE WITH THE HANDLE KNOB 215T.
- 10 mm SHAFT. FOR FOLDING SYSTEMS AND EXTERNAL OPENING SYSTEMS.



TEST	STANDARD	RESULT
Resistance to corrosion	UNE-EN 1670	Grade 4

MATERIALS	
Frame and slide	Extruded aluminium
Lever and sprocket	Polyamide
Spring	Stainless steel
Handle knob	Extruded aluminium
Screw L-10	Galvanized steel

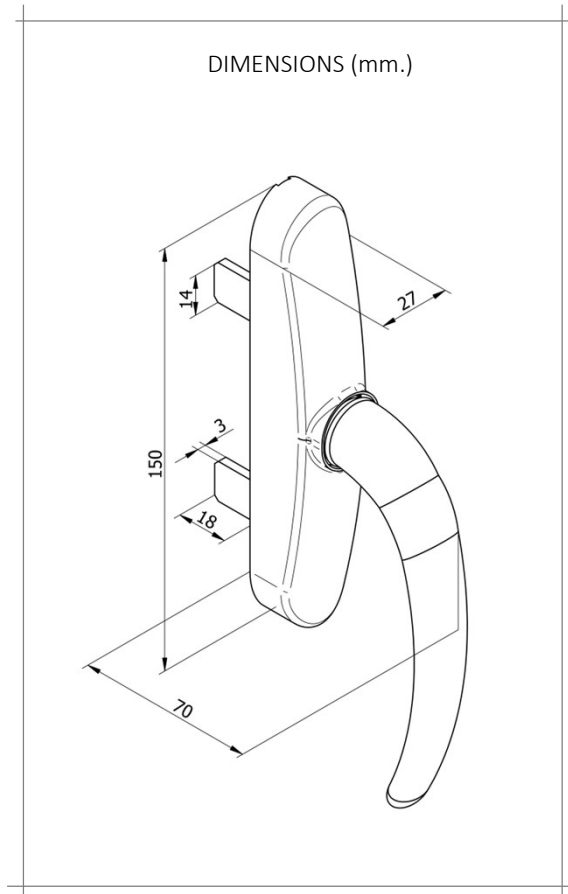
FINISHING TOUCHES AND SURFACE TREATMENTS

WHITE BLACK RAL SILVER GOLD BRONZE INOX

PACKAGING

215 Bolt : 10 units
 215 handle knob : 10 units
 215 Screw set : 10 units
 Handle knob and screw set sold separately.

- FOR FRENCH-OPENING AND EXTERNAL OPENING DOORS AND WINDOWS..
- REVERSIBLE: EASY CHANGE OF SIDE.
- MAXIMUM RESISTANCE TO CORROSION.



TEST	STANDARD	RESULT
Resistance to corrosion	UNE-EN 1670	Grade 4

MATERIALS	
Handle	Injected aluminium
Louver	Zamak
Frame	Zamak
Frame cover	Zamak
Basis	Polyamide
Screw	Stainless steel

FINISHING TOUCHES AND SURFACE TREATMENTS

WHITE BLACK RAL SILVER GOLD BRONZE INOX

PACKAGING

10 units packed in a 305x170x125mm box.

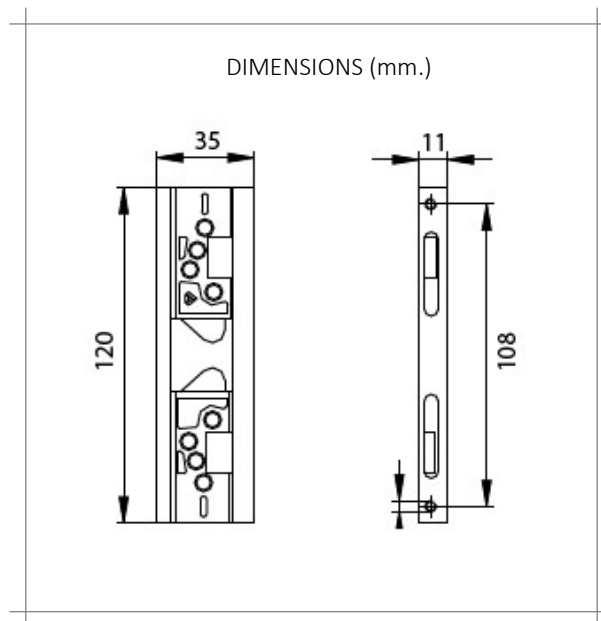
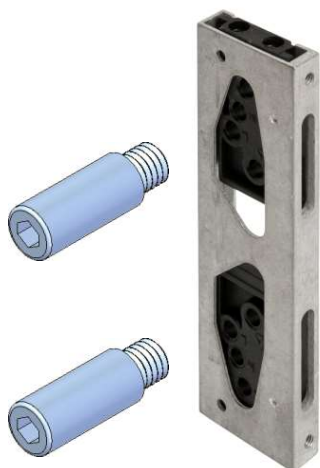
6250: OUTSIDE OPENING KIT

- ADAPTATOR FOR OUTSIDE OPENING ESPAGNOLETTE WITH 14X3 MM LOUVERS.
- ALUMINIUM FRAME, POLYAMIDE INSIDE, STEEL SCREWS.

6255000009: OUTSIDE OPENING KIT

6256180000: 18 MM SCREW

6256230000: 23 MM SCREW

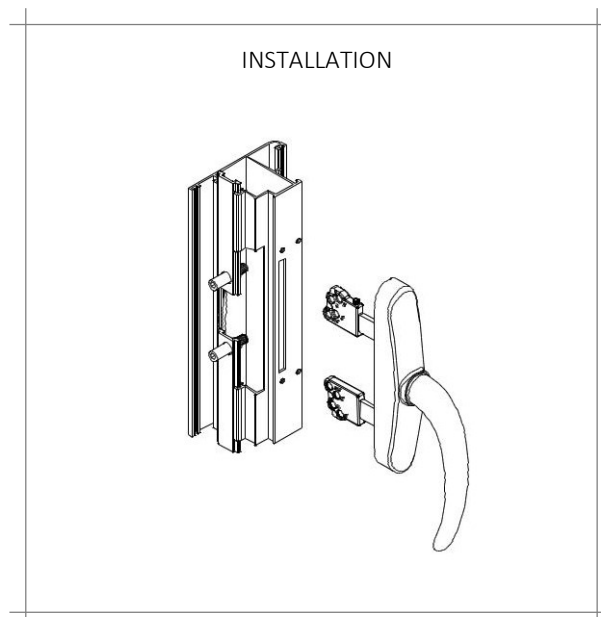
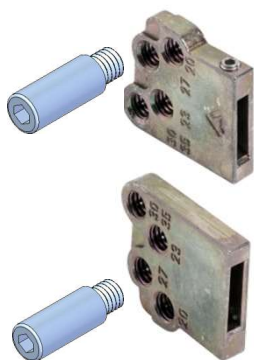


6255: OUTSIDE OPENING KIT

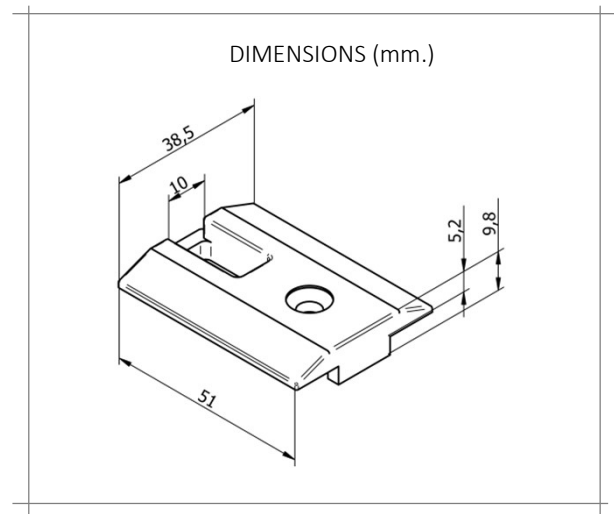
- ADAPTATOR FOR OUTSIDE OPENING ESPAGNOLETTE WITH 14X3 MM LOUVERS.
- FOR ANY PROFILE TYPE THANKS TO ITS 4 SCREW THREADS.
- ZAMAK ADAPTATOR, STEEL SCREWS, STAINLESS STEEL RETENTION SCREW.

6255T18000: OUTSIDE OPENING KIT WITH 18 mm SCREW.

6255T23000: OUTSIDE OPENING KIT WITH 23 mm SCREW



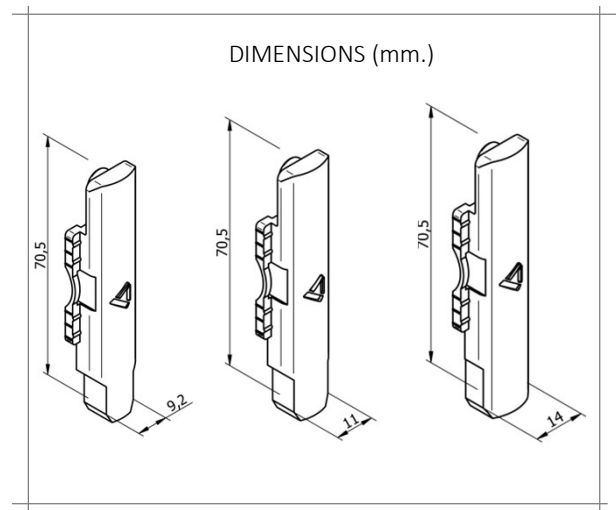
2027 : KEEPER FOR FOLDING SYSTEMS ON OPENING FRAME PROFILE



MATERIALS	
Frame	Polyamide
Screw and nut	Stainless steel
Flange	Stainless steel

PACKAGING
1 unit

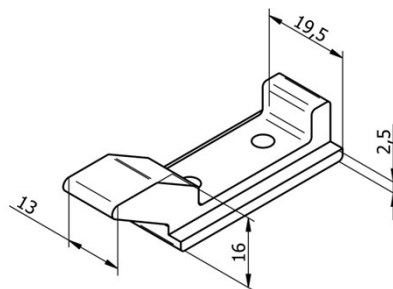
2078/9 - LOCKING POINT 9mm. TO UPPER PROFILE AND KEEPER 2027
 2078/11 - LOCKING POINT 11 mm TO 12 mm DOWN PROFILE
 2078/14 - LOCKING POINT 14 mm TO 15mm BOTTOM FRAME PROFILE



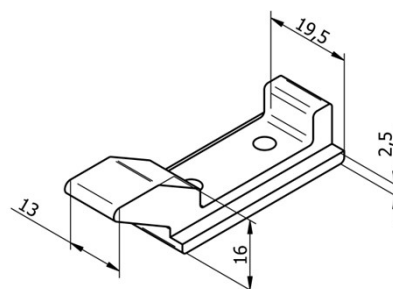
MATERIALS	
Locking point	Polyamide

PACKAGING
1 unit

14000/SP00 – LOCKING KIT WITHOUT CASING
CLOSING SYSTEM FOR SLIDING SHUTTER.



14000/0000 – CLOSING KIT WITHOUT LOCK
CLOSING SYSTEM FOR SLIDING SHUTTER



MATERIALS

Keepers Extruded aluminium
Vis Stainless Steel

FINISHING TOUCHES AND SURFACE TREATMENTS

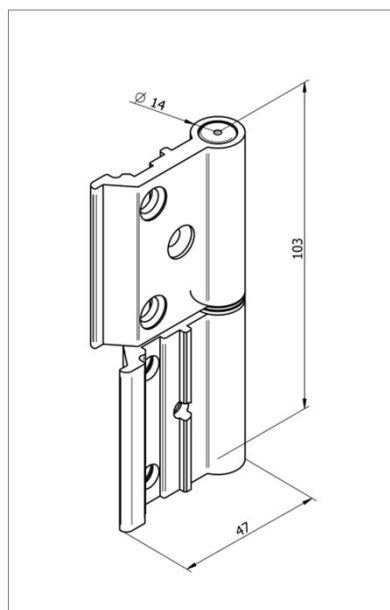


BLACK

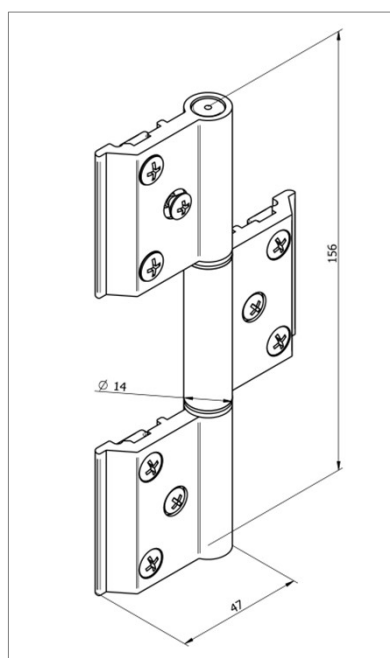
PACKAGING

1 unit

INDIVIDUAL HINGE FOR SHUTTERS



2075 TRIPLE HINGE FOR FOLDING SYSTEMS



MATERIALS

Louvers	Extruded aluminium
Flanges	Zamak
Sleeve	Polyamide
Screws	Stainless Steel

FINISHING TOUCHES AND SURFACE TREATMENTS

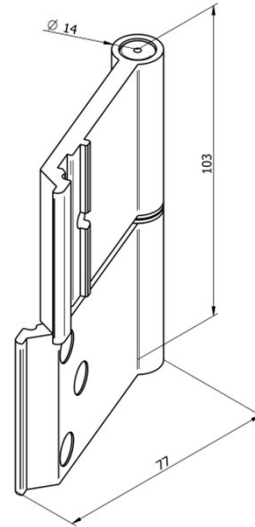


PACKAGING

2075 : 50 units packed in a 330x190x70 mm box.
2075 TRIPLE: 30 units packed in a 330x190x70 mm box.

2077 LARGE HINGE

- LARGE HINGE FOR SHUTTERS.
- ALLOWS THE LEAVES TO FOLD.



2077 LARGE TRIPLE HINGE

- LARGE HINGE FOR SHUTTERS.
- ALLOWS THE LEAVES TO FOLD.



MATERIALS

Louvers	Extruded aluminium
Flanges	Zamak
Sleeve	Polyamide
Screws	Stainless Steel

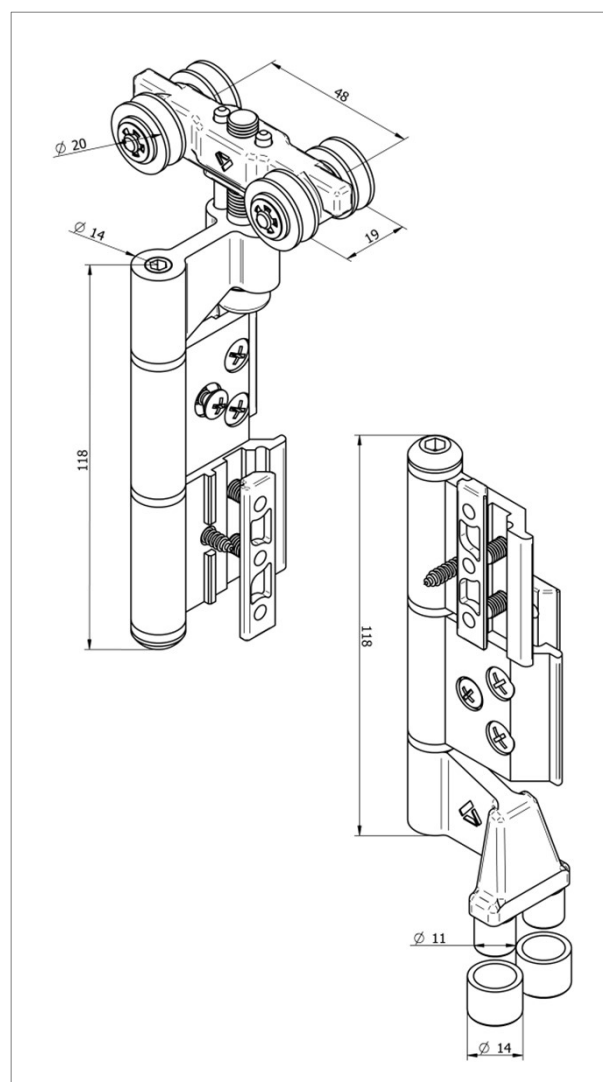
FINISHING TOUCHES AND SURFACE TREATMENTS



PACKAGING

2077: 50 units packed in a 390x190x110 box
2077 TRIPLE: 30 units packed in a box

- DOUBLE HINGE SET FOR FOLDING SYSTEMS.
- VALID FOR 12 MM GUIDE AND 15 MM FIXED FRAME.
- MAXIMUM DIMENSIONS: 700X2800 MM.
- MAXIMUM LOAD : 50 KG PER LEAF.



MATERIALS

Louvers	Extruded aluminium
Sleeve	PA6
Screws	Stainless Steel
Rollers	POM
Frame	Zamak

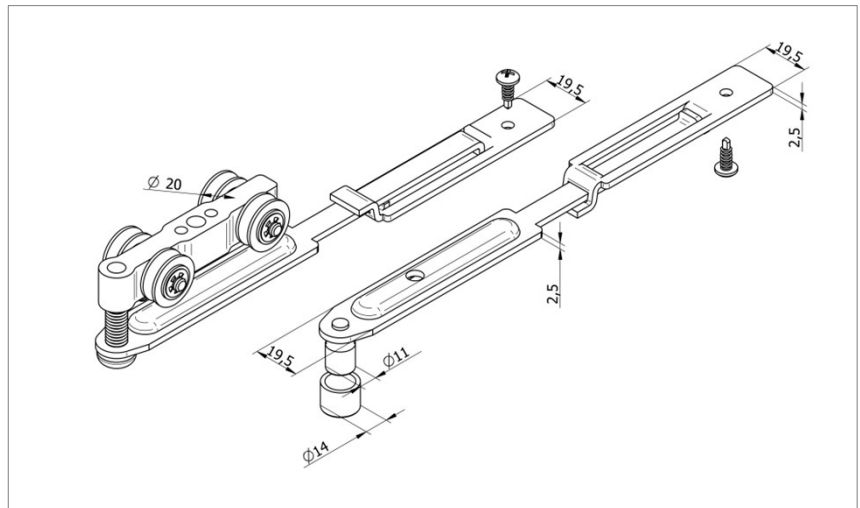
FINISHING TOUCHES AND SURFACE TREATMENTS



PACKAGING

25 sets in a 380x210x190 mm box

- ACCESSORY FOR FOLDING SYSTEMS WITH PAIR OF LEAVES.
- MINIMUM LEAF WIDTH 500 mm.
- MAXIMUM DIMENSIONS 700x2800 mm.
- MAXIMUM WEIGHT : 40 KG PER LEAF



MATERIALS

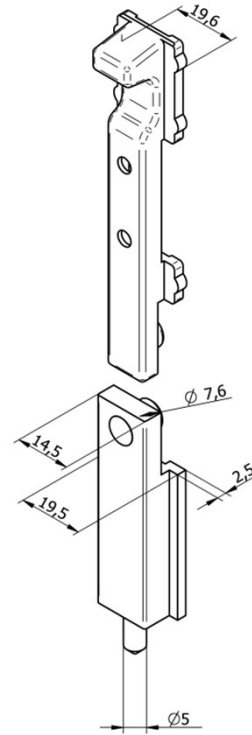
Frame	Extruded aluminium
Rollers	Polyamide
Arm and basis	Stainless Steel
Shaft and screw	Stainless steel

PACKAGING

1 unit

4020 – BOLT SET

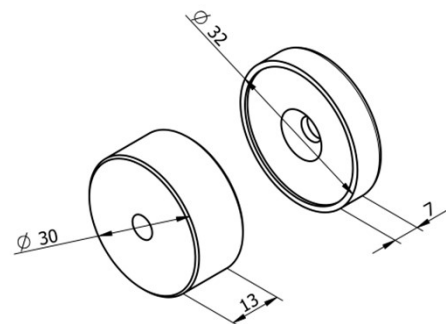
- ACCESSORY FOR LEAF GUIDING IN SHUTTER SYSTEMS.
- DIRECT FIXATION WITH SCREW.
- GUIDES THE LEAF IN THE PIVOT OF THE 12 MM LEAF PROFILE.



MATERIALS

Frame	Aluminium
Shaft	Stainless steel
Slider	Plastic

4020 : LEAF BLOCKER



MATERIALS

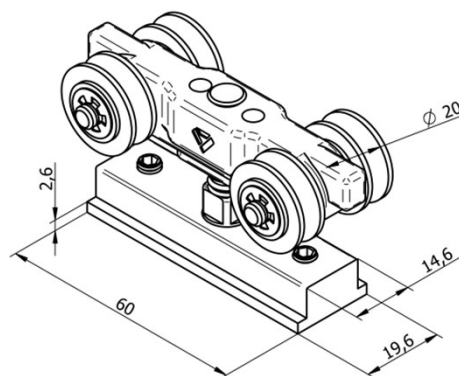
Core	Iman
Frame	Galvanized steel
Cover	Galvanized Steel

PACKAGING

10 packed units

4010 – ROLLER SET

- UPPER ROLLER FOR SLIDING SHUTTERS.
- FOR EXTERNAL SWIVEL SYSTEMS.
- MAXIMUM LOAD : 40KG PER ROULETTE (80KG PER LEAF).



MATERIALS

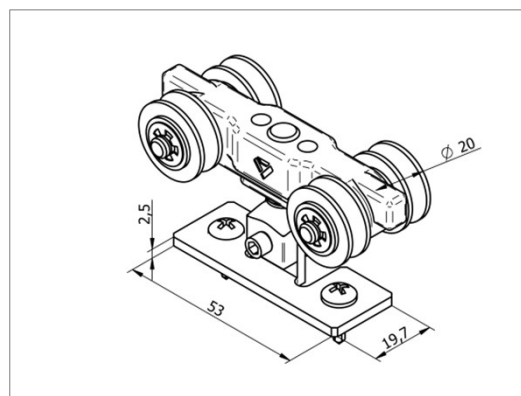
Frame	Zamak
Rollers	POM
Screws	Stainless steel
Basis	Extruded aluminium

PACKAGING

1 unit

4015 – REMOVABLE ROLLER SET

- UPPER ROLLER FOR SLIDING SHUTTERS.
- FOR TABLE INSTALLATION
- MAXIMUM LOAD : 40KG PER ROULETTE (80KG PER LEAF).



MATERIALS

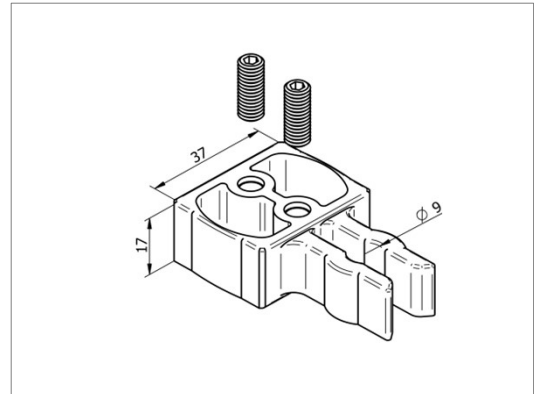
Frame	Zamak
Rollers	POM
Screws	Stainless steel
Basis and central screw	Galvanized steel

PACKAGING

1 unit

4010COTO00 – 4010 STOPPER SET

- MULTIFUNCTIONAL ACCESSORY FOR SLIDING SHUTTER SYSTEM.
- WORKS AS A KEEPER THANKS TO THE LOCKING POINTS.
- WORKS AS A STOPPER AGAINST THE ROLLERS SO AS TO PREVENT THE LEAF FROM MOVING.
- « END OF TRAJECTORY CLIC » WITH THE LOCKING POINT 4010.



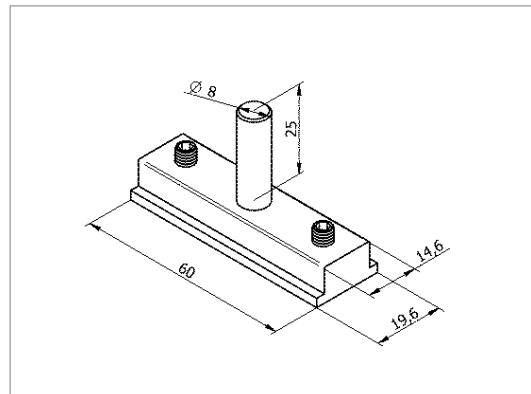
MATERIALS

Frame	Polyamide PA6
Screws	Stainless steel

PACKAGING

1 unit

4010PLEN00 – 4010 TOP HUNG COUPLING HARDWARE



MATERIALS

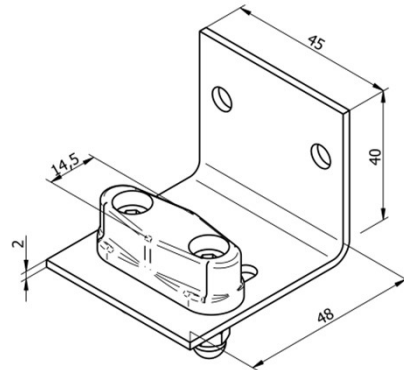
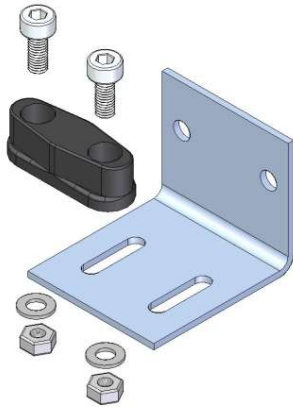
Frame	Extruded aluminium
Shaft and screws	Stainless steel

PACKAGING

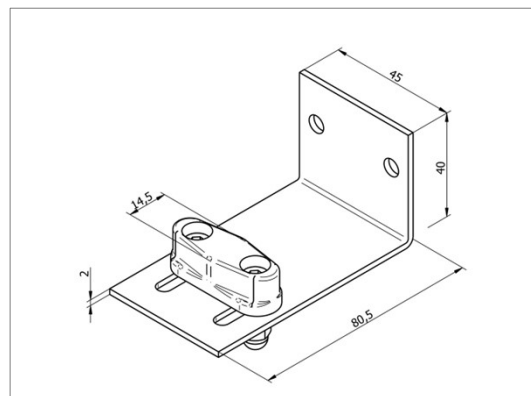
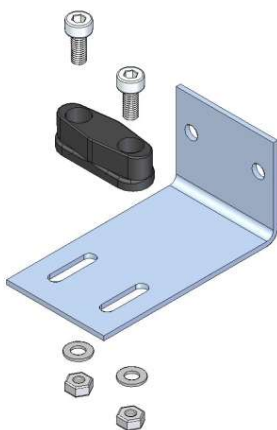
100 units in a bag

4012 – SUPPORT SET 22-38

- SUPPORT FOR LEAF GUIDING IN SLIDING SHUTTER SYSTEMS, WHICH REPLACES THE LOWER GUIDE
- ADJUSTABLE FROM 22 TO 38 MM.

**4012 – SUPPORT SET 53-69**

- SUPPORT FOR LEAF GUIDING IN SLIDING SHUTTER SYSTEMS, WHICH REPLACES THE LOWER GUIDE
- ADJUSTABLE FROM 53 TO 69 MM.

**MATERIALS**

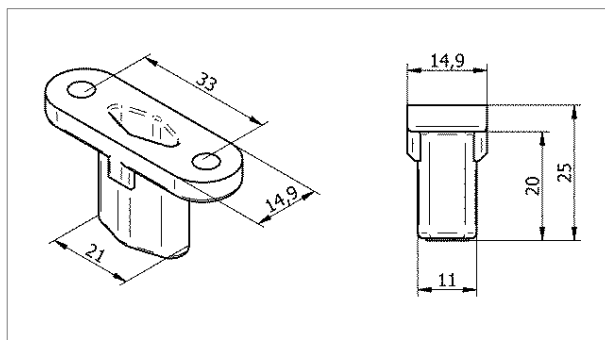
Support and screws	Stainless steel (AISI-304)
Guide	Polyamide (PA6)

PACKAGING

30 support sets in a bag

4013 – BOTTOM SLIDING DEVICE

- ACCESSORY FOR LEAF GUIDING IN SLIDING SHUTTER SYSTEMS.
- DIRECT FIXATION WITH A SCREW IN THE LOWER PART OF THE LEAF FOR GUIDING IN THE LOWER 12 MM RAIL.



MATERIALS

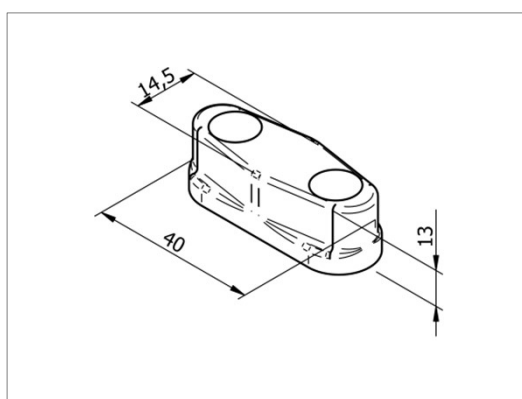
Support Polyamide (PA6)

PACKAGING

50 units in a bag

4014 – BOTTOM SLIDING SUPPORT

- ACCESSORY FOR LEAF GUIDING IN SLIDING SHUTTER SYSTEMS.
- DIRECT FIXATION WITH A SCREW.
- GUIDES THE LEAF ACROSS THE PIVOT, 12 MM RAIL.



MATERIALS

Support Polyamide (PA6)

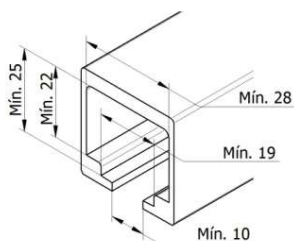
PACKAGING

50 units in a bag

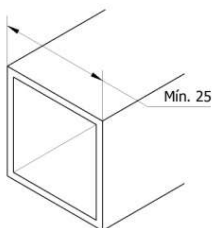
- ACCESORIOS PARA CONTRAVENTANA CORREDERA.
- CARRO, TOPE ENGANCHE Y PLETINA FIJACIÓN SE VENDEN POR SEPARADO, SEGÚN LAS NECESIDADES DEL CLIENTE.
- CARGA MÁXIMA: 50 KG POR CARRO (100 KG POR HOJA)
- RODAMIENTOS DE AGUJAS AUTOLUBRICADOS.
- FUNCIÓN DE ENGANCHE INTEGRADA EN CARRO.



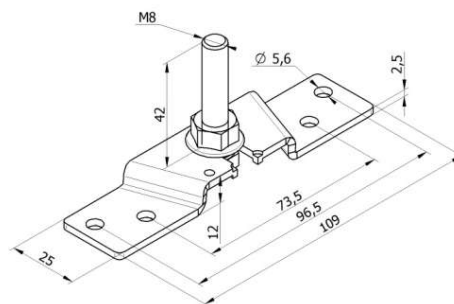
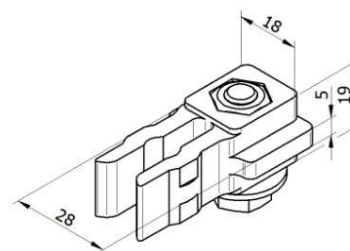
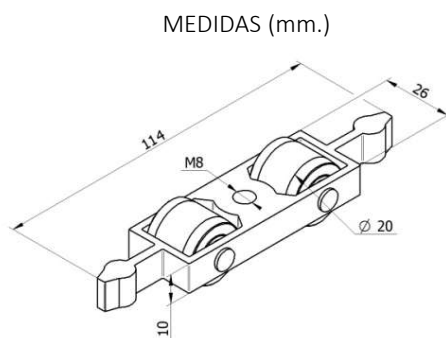
4016 CARRO



4016 TOPE ENGANCHE



4016 PLETINA FIJACIÓN



MATERIALES

Rueda	POM
Cuerpo carro	Aluminio
Chapa y eje	Inox
Tornillos	Inox
Pinza	PP

PRESENTACIÓN

Embalaje individual

ENSAYO	NORMA	RESULTADO
Resistencia a la corrosión	UNE-EN 1670	Grado 4
Durabilidad	INTERNO	100.000 ciclos
Carga	INTERNO	100 Kg.