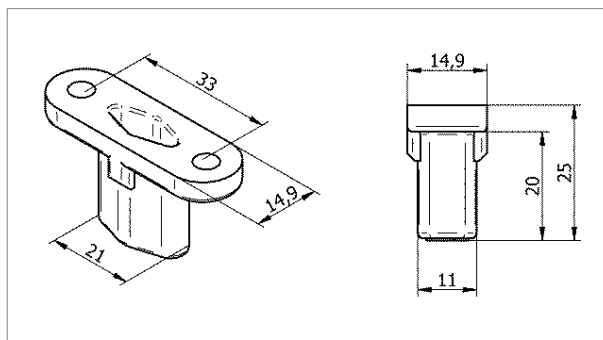


4013 – BOTTOM SLIDING DEVICE

- ACCESSORY FOR LEAF GUIDING IN SLIDING SHUTTER SYSTEMS.
- DIRECT FIXATION WITH A SCREW IN THE LOWER PART OF THE LEAF FOR GUIDING IN THE LOWER 12 MM RAIL.



MATERIALS

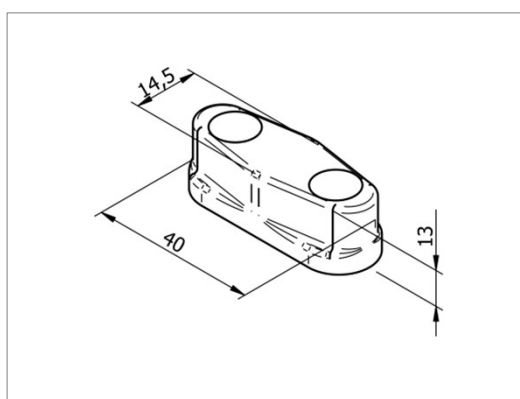
Support Polyamide (PA6)

PACKAGING

50 units in a bag

4014 – BOTTOM SLIDING SUPPORT

- ACCESSORY FOR LEAF GUIDING IN SLIDING SHUTTER SYSTEMS.
- DIRECT FIXATION WITH A SCREW.
- GUIDES THE LEAF ACROSS THE PIVOT, 12 MM RAIL.



MATERIALS

Support Polyamide (PA6)

PACKAGING

50 units in a bag