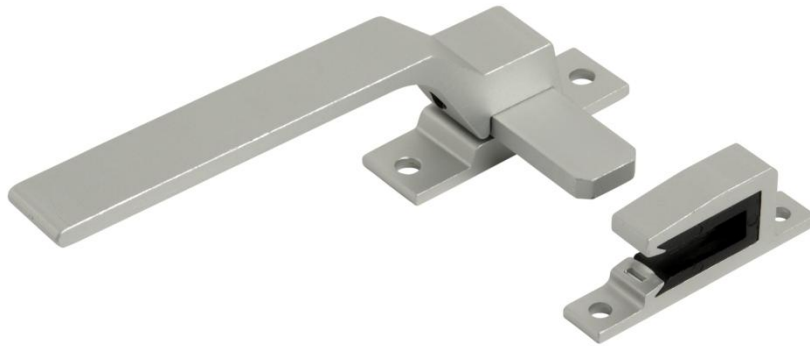
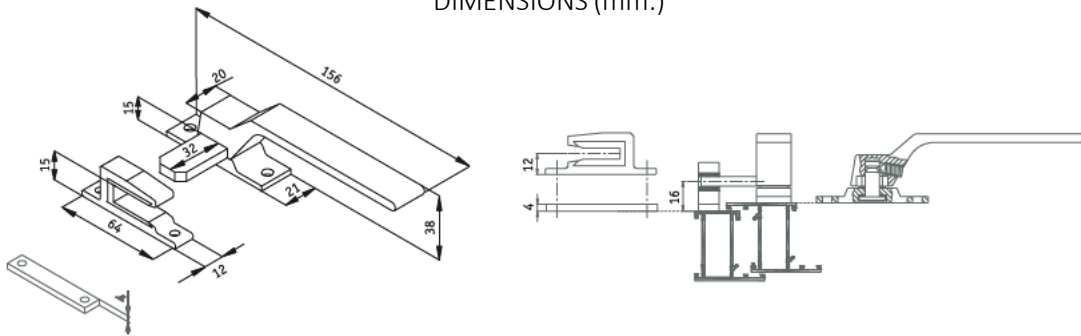


- REVERSIBLE: VERY EASY WAY SHIFTING.
- FOR CARPENTRY SERIES WITH MAXIMUM OFFSET OF 4mm
- KEEPER DELIVERED WITH A WEDGE.

523: FLAT CLOSING (HEIGHT 15 mm. + SUPPLEMENT OF 4mm= TOTAL HEIGHT 19mm.)



DIMENSIONS (mm.)



TEST

Resistance to corrosion

STANDARD

UNE-EN 1670

RESULT

Grade 4

MATERIALS

Handle	Extruded aluminium
Bolt	Extruded aluminium
Frame	Extruded aluminium
Keeper	Extruded aluminium
Keeper guide	Polyamide
Shaft	Steel

FINISHING TOUCHES AND SURFACE TREATMENTS



WHITE



BLACK



RAL



SILVER



GOLD



BRONZE



INOX

PACKAGING

25 units in a 390x190x110 mm box.