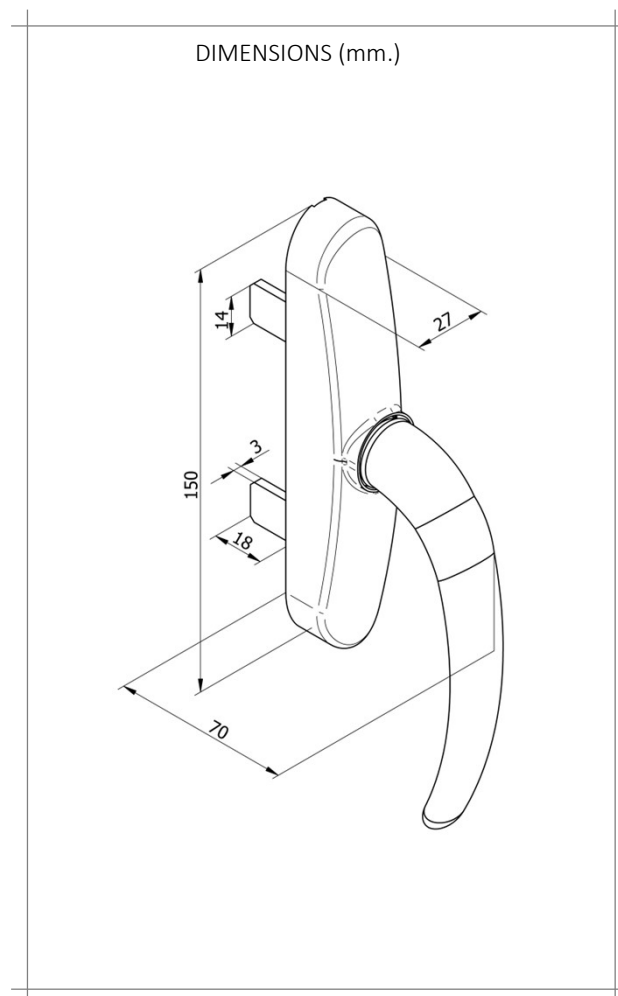


- FOR FRENCH-OPENING AND OUTSIDE OPENING DOORS AND WINDOWS.
- REVERSIBLE: EASY CHANGE OF SIDE.
- MAXIMUM RESISTANCE TO CORROSION.



TEST	STANDARD	RESULT
Resistance to corrosion	UNE-EN 1670	Grade 4

MATERIALS	
Handle	Injected aluminium
Louver	Zamak
Frame	Zamak
Frame cover	Zamak
Basis	Polyamide
Screw	Stainless Steel

**FINISHING TOUCHES AND SURFACE TREATMENTS**

WHITE    BLACK    RAL    SILVER    GOLD    BRONZE    INOX

**PACKAGING**

10 units in a 305x170x125 mm box.