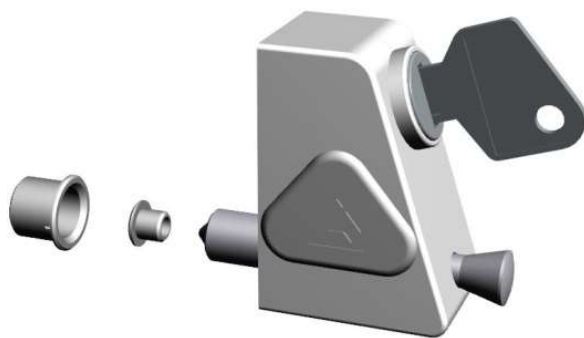


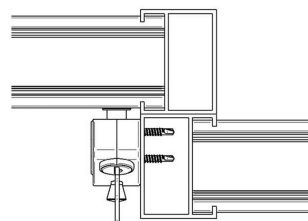
- FOR SLIDING DOORS AND WINDOWS.
- LOCK WITH KEY IN CLOSED POSITION.
- SWIVEL BRACKET WITH PROVIDED SELF-DRILLING SCREWS $\varnothing 5$.
- ANTI-SCRATCHES CORK, WATERPROOFING CORK AND SCREW COVER PROVIDED.
- REMOVABLE PUNCH FOR DRILLING GUIDANCE.
- DELIVERED WITH A 2-KEY SET.

REF. **9001**: DIVERSES KEYS.

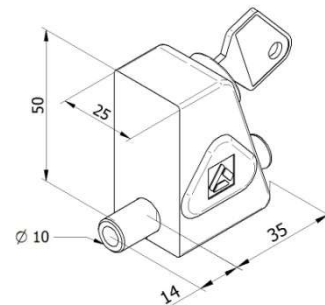
REF. **9002**: SEMI-OPENING KEYS.



ASSEMBLY PATTERN (mm.)



DIMENSIONS (mm.)



Range



FINISHING TOUCHES AND SURFACE TREATMENTS



MATERIALS

Frame	Zamak
Cork and screw cover	EPDM
Shaft	Stainless steel
Screws	Stainless steel

PACKAGING

20 units, packed individually with assembly instructions.
Available with Blister.