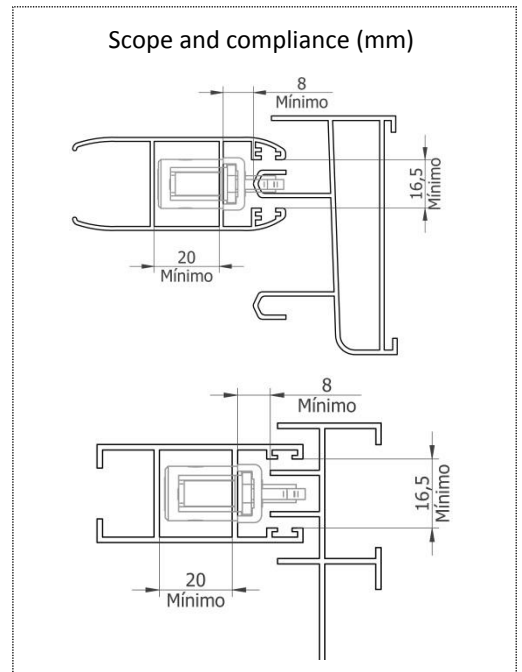
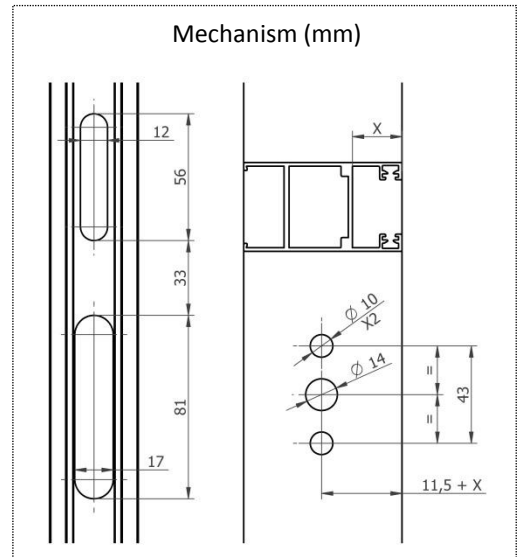
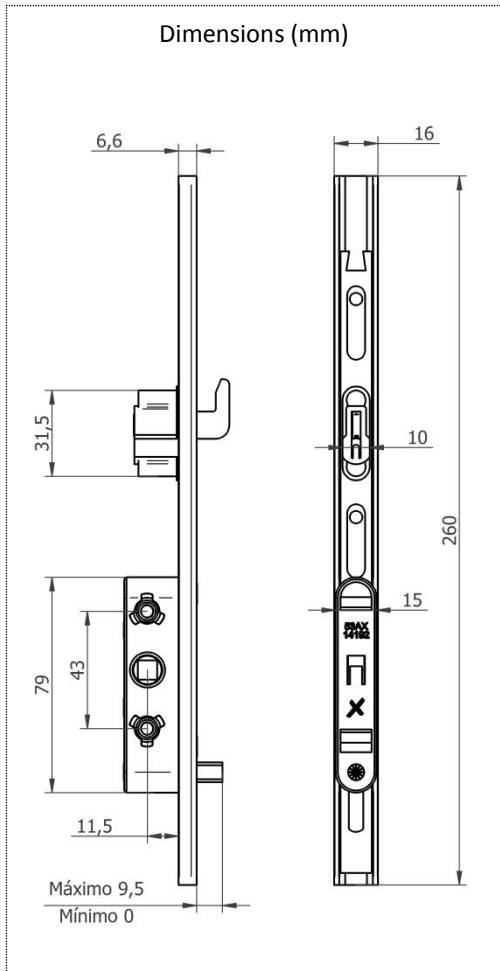


- 1-point lock
- Adjustable hook until ± 10 mm
- Shaft left out of the bolt 18,5 mm
- Anti-Lifting and anti-misstep integrated
- Each hook has a resistance of 200Kg



MATERIALS

Static edge plate	Aluminium
Movable edge plate	Galvanized steel
Hook	Stainless steel
Screws	Galvanized steel
Mechanisms	Zamak + POM

FINISHING TOUCHES AND SURFACE TREATMENTS



BLACK

PACKAGING

25 units per box