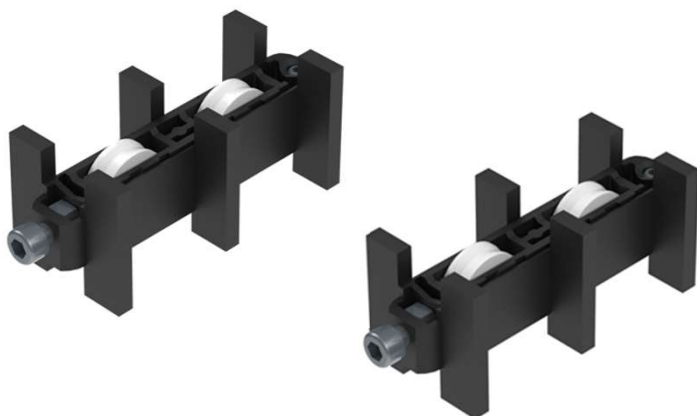
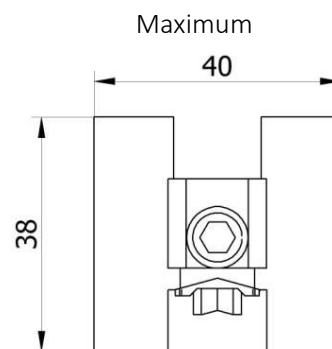
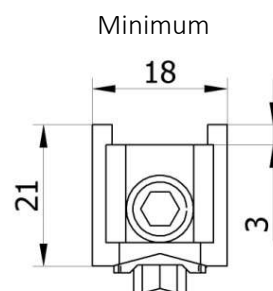


- RENEWAL ROLLER KIT FOR ALUMINIUM SLIDINGS.
- DOWN-CUP NEDLE ROLLER UNTIL 120 KG.
- ADJUSTABLE (+3,5/-1,5)
- INCLUDES 2 PAIRS OF ROLLERS FOR THE DIFFERENT RAIL DIMENSIONS.

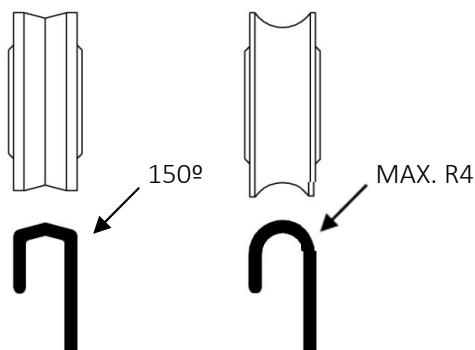
The kit includes:




DIMENSIONS (mm.)



Assembly instructions



TEST	STANDARD	RESULT
Durability	NF EN 13.126-15	25000 cycles*
*According to the adaptation		

FINISHING TOUCHES AND SURFACE TREATMENTS
 BLACK

MATERIALS	
Frame	Polyamide + FV
Bogie	Polyamide + FV
Rollers	POM-H
Rolling	Stainless steel
Screws	Stainless steel
Shaft	Stainless steel

PACKAGING
10 units. Available in a blister.