

COMBINACIONES POSIBLES (201)

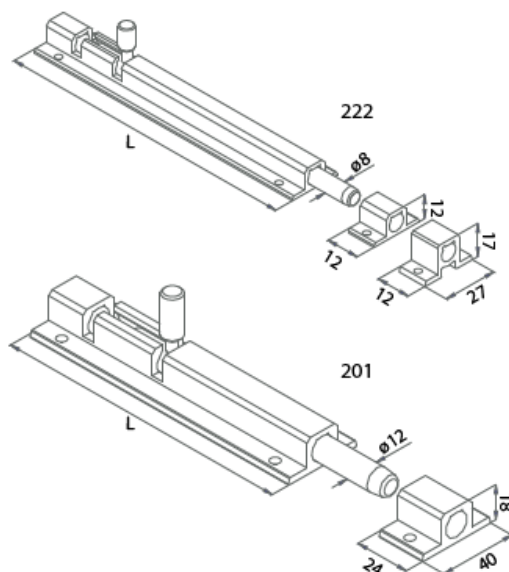
MEDIDA	100	150	250	350	500	750
Eje	Acero	Acero	Acero	Acero	Acero	Acero

COMBINACIONES POSIBLES (222)

MEDIDA	50	80	100	150	200	250	300	400
Eje	Acero	Acero	Acero	Acero	Acero	Acero	Acero	Acero



DIMENSIONS (mm.)



TEST	STANDARD	RESULT
Resistance to corrosion	UNE-EN 1670	Grade 4

MATERIALS	
Frame	Extruded aluminium
Keeper	Extruded aluminium
Shaft	Steel (Alma ZV-21)
Handle	Steel

FINISHING TOUCHES AND SURFACE TREATMENTS

WHITE BLACK RAL SILVER GOLD BRONZE

PACKAGING

201: 6-unit box
222: 20-unit box