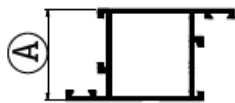


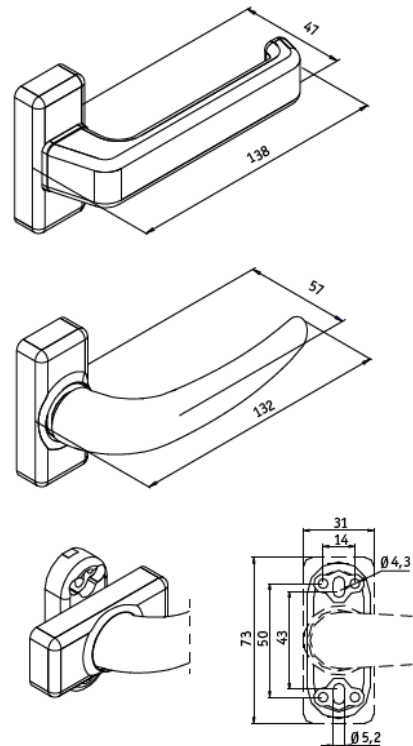
- LEVER HANDLE TO BE FIXED ON THE STILE OR THE CENTRAL TRANSOM.
- THE SPRING ALLOWS TO PUT BACK THE HANDLE IN THE HORIZONTAL POSITION.
- EQUIPPED WITH A COVER WHICH HIDES THE FIXATION BASIS AND THE SCREWS.
- DELIVERED INDIVIDUALLY OR IN PAIRS (LEFT OR RIGHT SIDE).
- 8 MM SQUARE.



Maximum width of the door stile (mm)	A
Handle set (square L=102 mm.)	56
Handle unit (square L=102 mm.)	80
Handle clearance (square L=130 mm.)	84
Handle unit (square L=130 mm.)	108



DIMENSIONS (mm.)



TEST

TEST	STANDARD	RESULT
Resistance to corrosion	UNE-EN 1670	Grade 4

MATERIALS

Handle	Injected Aluminium
Cover	Zamak
Frame	Zamak
Washer	Polyamide
Square	Steel

FINISHING TOUCHES AND SURFACE TREATMENTS



PACKAGING

10 lever handles packed individually or in pairs with 8mm square, in a 335x190x75 mm box. Please specify in the order form if you need "pairs" or "units". Available in blister.