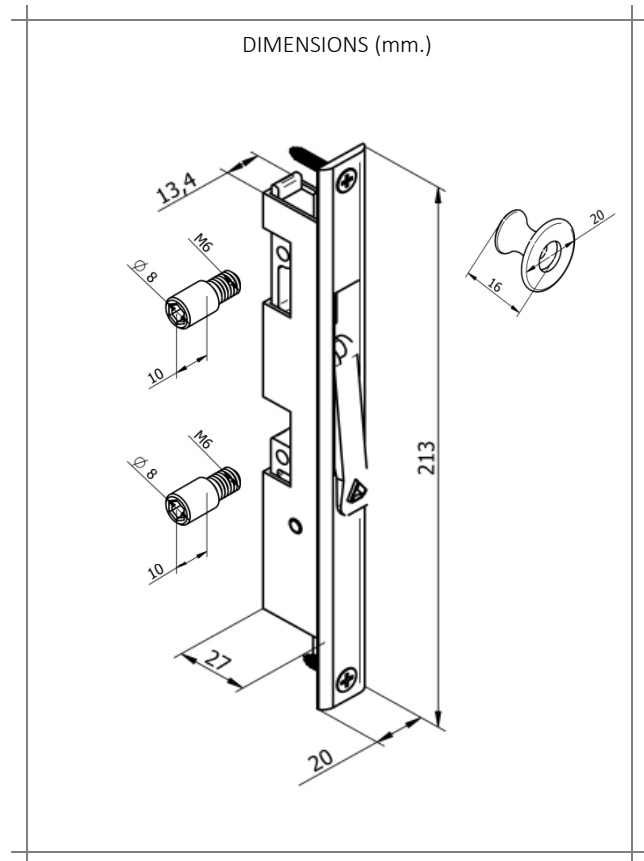


- FITTED DOUBLE-ACTION BOLT FOR FOLDING SYSTEMS.
- ASSEMBLABLE WITH THE HANDLE KNOB 215T.
- 10 mm SHAFT. FOR FOLDING SYSTEMS AND EXTERNAL OPENING SYSTEMS.



TEST	STANDARD	RESULT
Resistance to corrosion	UNE-EN 1670	Grade 4

MATERIALS	
Frame and slide	Extruded aluminium
Lever and sprocket	Polyamide
Spring	Stainless steel
Handle knob	Extruded aluminium
Screw L-10	Galvanized steel

**FINISHING TOUCHES AND SURFACE TREATMENTS**

WHITE    BLACK    RAL    SILVER    GOLD    BRONZE    INOX

**PACKAGING**

215 Bolt : 10 units  
 215 handle knob : 10 units  
 215 Screw set : 10 units  
Handle knob and screw set sold separately.