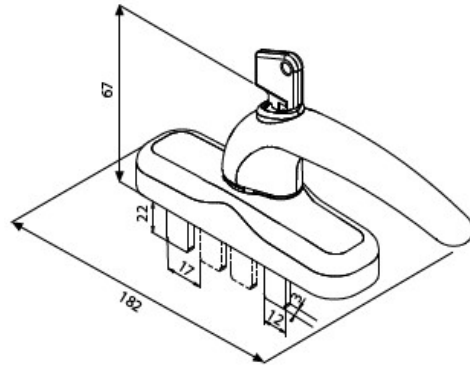


- REVERSIBLE: EASY SHIFT.
- EUROPEAN SAFETY FITTING.
- ALSO AVAILABLE FOR TILT-AND-TURN OPENING

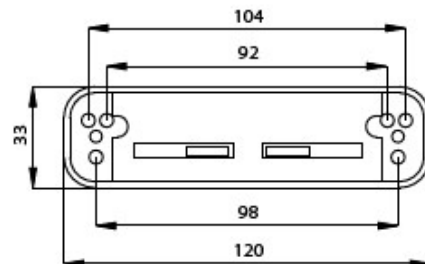


DIMENSIONS (mm.)



DRILLING

The cremone is delivered with 98 mm of drilling span. Adapting it to 104 mm. is very easy



TEST	STANDARD	RESULT
Resistance to corrosion	UNE-EN 1670	Grade 4
Viability (25000 cycles)	EN-12400	Grade 3

MATERIALS	
Handle	Zamak
Basis	Zamak
Blocker	Zamak
Fitting frame	Zamak
Washer of position	Polyamide
Basis cover	Polyamide

FINISHING TOUCHES AND SURFACE TREATMENTS

WHITE BLACK RAL SILVER GOLD BRONZE INOX

PACKAGING

10 units in a 415x215x60 mm box.