

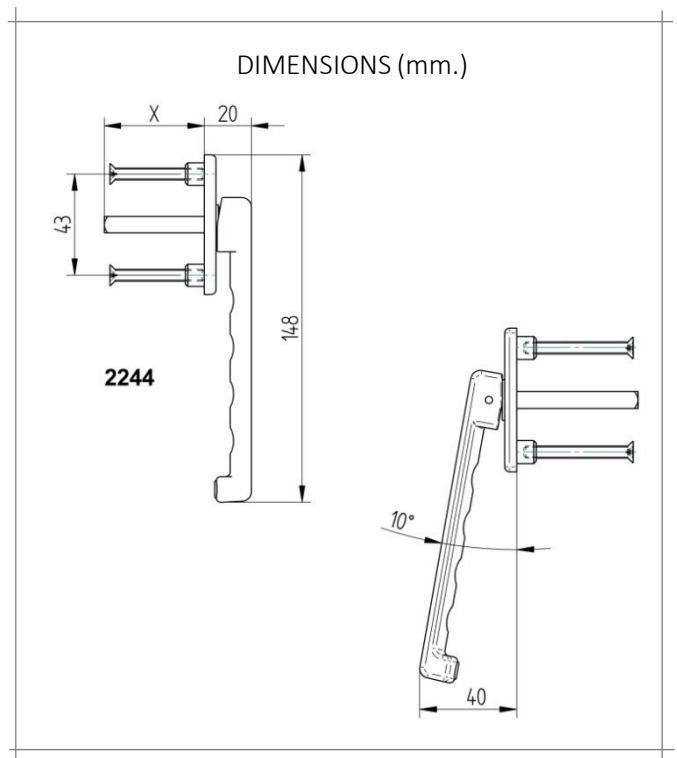
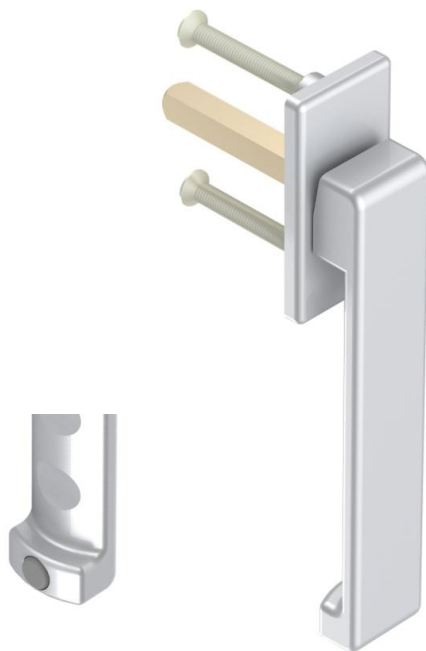
- EXTERNAL HANDLE WITH 7 MM SQUARE.
- REDUCED HEIGHT (only 20 mm.) AND SHIFTING FOR MORE ERGONOMY. (ALMA EXCLUSIVITY)
- ANTI-SCRATCH EPDM STOP BLOCK.
- COMPATIBLE WITH HANDLE 2240 (SHEET 9.11)

2244P: STANDARD VERSION FOR PROFILES FROM 24 TO 35 MM.

2244G: STANDARD VERSION FORM PROFILES FROM 36 TO 45 MM.

ASSEMBLABLE WITH: **2240SCSTXX:** Handle 2240 without square NOR screw

2242SCSTXX: High handle 2242 without square NOR screw



TEST	STANDARD	RESULT
Resistance to corrosion	UNE-EN 1670	Grade 4

MATERIALS	
Handle	Zamak-5
Fixation frame	Zamak-5
Hinging square	Brass
Anti-shock stopper	EPDM
Retention washer	Stainless Steel
Spring	Stainless Steel

FINISHING TOUCHES AND SURFACE TREATMENTS

WHITE BLACK RAL SILVER INOX

PACKAGING

10 handles packed individually with screw and 7 mm square.