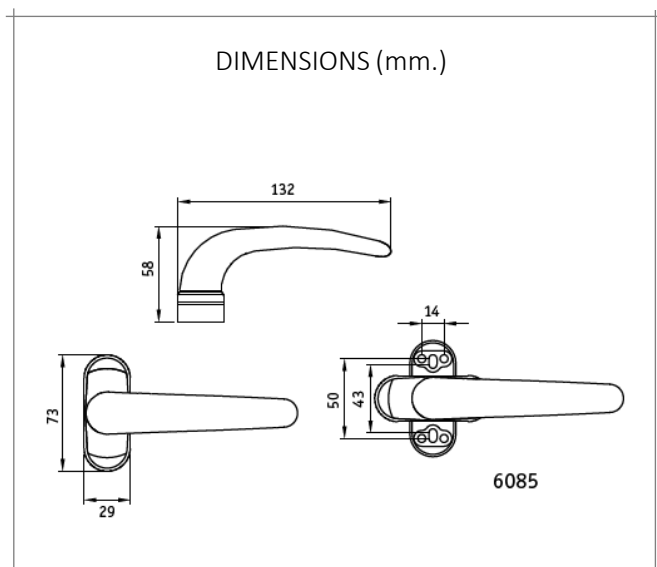


- SPRING HANDLE TO BE FIXED ON THE STILE OR ON THE CENTRAL TRANSOM OF THE DOORS.
- THE SPRING ALLOWS TO PUT THE HANDLE BACK AT HORIZONTAL POSITION.
- EQUIPPED WITH A COVER WHICH HIDES THE SCREWS AND MAKES ASSEMBLY EASIER.
- DELIVERED INDIVIDULLY OR IN PAIRS.
- REVERSIBLE (WITHOUT HAND).
- 8 MM SQUARE



TEST	STANDARD	RESULT
Resistance to corrosion	UNE-EN 1670	Grade 4

MATERIALS	
Handle	Aluminium
Cover	Zamak
Frame	Zamak
Washer	Polyamide
Square	Steel

**FINISHING TOUCHES AND SURFACE TREATMENTS**

WHITE    BLACK    RAL    SILVER    GOLD    BRONZE    INOX

**PACKAGING**

10 handles packed individually or in pairs with 8mm square, in a 335x190x75 mm box. Please specify in the order form in you need « pairs » or « units ». Available in blister.