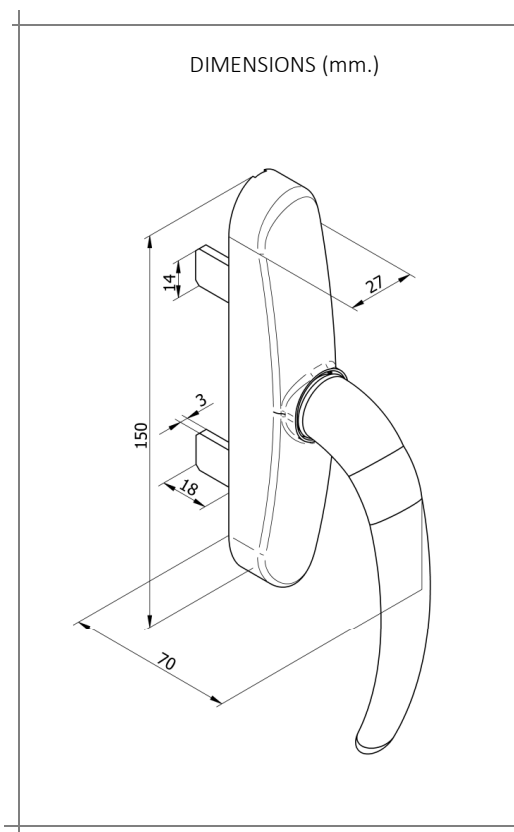


- FOR FRENCH-OPENING AND EXTERNAL OPENING DOORS AND WINDOWS..
- REVERSIBLE: EASY CHANGE OF SIDE.
- MAXIMUM RESISTANCE TO CORROSION.



TEST	STANDARD	RESULT
Resistance to corrosion	UNE-EN 1670	Grade 4

MATERIALS	
Handle	Injected aluminium
Louver	Zamak
Frame	Zamak
Frame cover	Zamak
Basis	Polyamide
Screw	Stainless steel

FINISHING TOUCHES AND SURFACE TREATMENTS

WHITE BLACK RAL SILVER GOLD BRONZE INOX

PACKAGING

10 units packed in a 305x170x125mm box.